



UltraView 420 Dual  
LCD LED Monitor Arms



27"



0-470mm



400mm



+/- 30°



+/- 90°



L/P



Silver



Yes



No



12kg



3 Years



VESA M10-D  
75x75mm  
100x100mm



## UltraView 420 Dual Monitor Desk Arm

The EMUV420 UltraView range of monitor mounts can support two screens each upto 12kg in weight on a single 35mm pole in a horizontal mounting configuration. This model is supplied with a bolt through /grommet mount fitting or desk clamp. The bolt through/ grommet mount fitting sits through the desk's cable management port reducing the need for additional drill holes.

The robust and durable ergonomic design allows between 70mm and 470mm of reach along with 400mm of height adjustment for monitors upto 27". A further 180° of tilt and 180° of monitor swivel are achievable in this highly aesthetic touch screen stable product.



see it your way...

T +44 (0)1252 333326 F +44 (0)1252 330006  
E sales@ergomounts.co.uk

[www.ergomounts.co.uk](http://www.ergomounts.co.uk) [www.medicalmounts.co.uk](http://www.medicalmounts.co.uk)

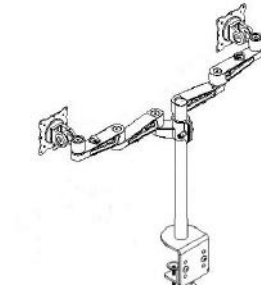
- Ergonomic LCD LED monitor arm supporting monitors up to 12kg on a 35mm diameter pole.
- Supports two LCD monitors up to 24" or two LED monitors up to 27" (including widescreen models).
- Supplied with desk clamp, or bolt through/grommet fitting.
- Provides up to 470mm (18.5") of reach and 400mm (15.7") of height adjustment. 700mm (27.5") tall pole upgrades available.
- Folds to within 70mm of pole.
- Highly aesthetic.
- Supplied with 75mm and 100mm VESA interface plates.
- Monitors tilt, angle and move from portrait to landscape.



### Specifications

Arm Ext.:	<b>70-470mm</b>
Monitor Height Adjust:	<b>400mm</b>
Tilt Adjustment:	<b>+/-90°</b>
Monitor Swivel:	<b>+/-90°</b>
Monitor Orientation:	<b>Landscape to Portrait</b>
Colour:	<b>Silver</b>
Touch Screen Stable:	<b>Yes</b>
Keyboard and Mouse Tray:	<b>No</b>
Max Monitor Weight:	<b>12kg</b>
Product Warranty:	<b>3 Years</b>

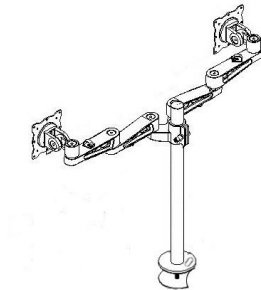




**Part Number**  
EMUV420DC

**Description**

UltraView 420 Series Ergonomic LCD  
LCD monitor arm supporting two  
LCD LED monitors horizontally, desk  
clamp.  
Maximum mount capacity 24kg.  
Maximum desk thickness 72mm.  
Silver Finish



**Part Number**  
EMUV420TD

**Description**

UltraView 420 Series Ergonomic LCD LED  
monitor arm supporting two LCD LED  
monitors, horizontally bolt through desk  
fitting.  
Maximum mount capacity 24kg.  
Maximum desk thickness 60mm.  
Silver Finish.



**Part Number**  
EMUV420DC-POLE

**Description**

UltraView 420 Series Desk Clamp  
400mm Pole  
Maximum desk thickness 95mm  
Silver Finish

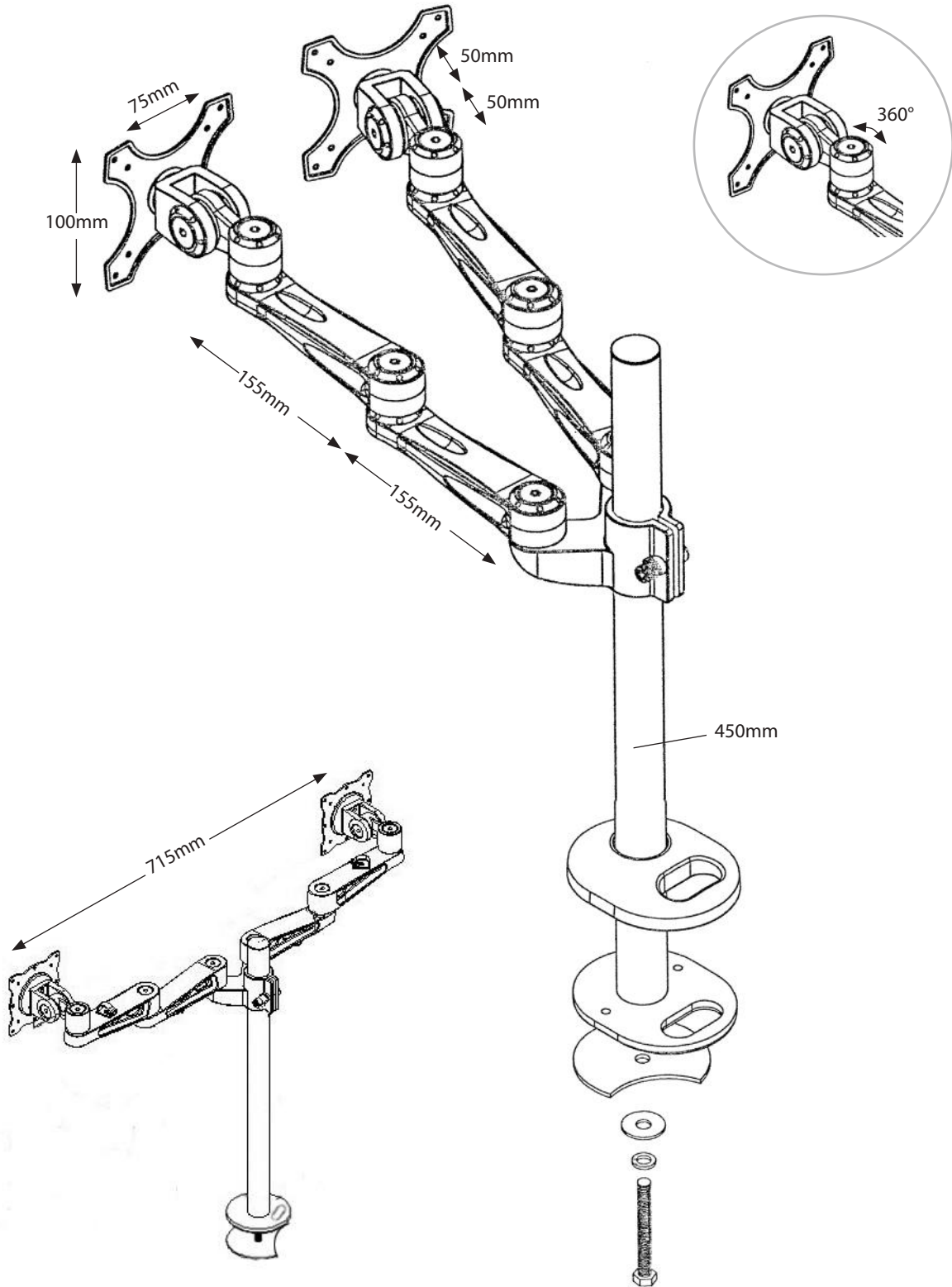


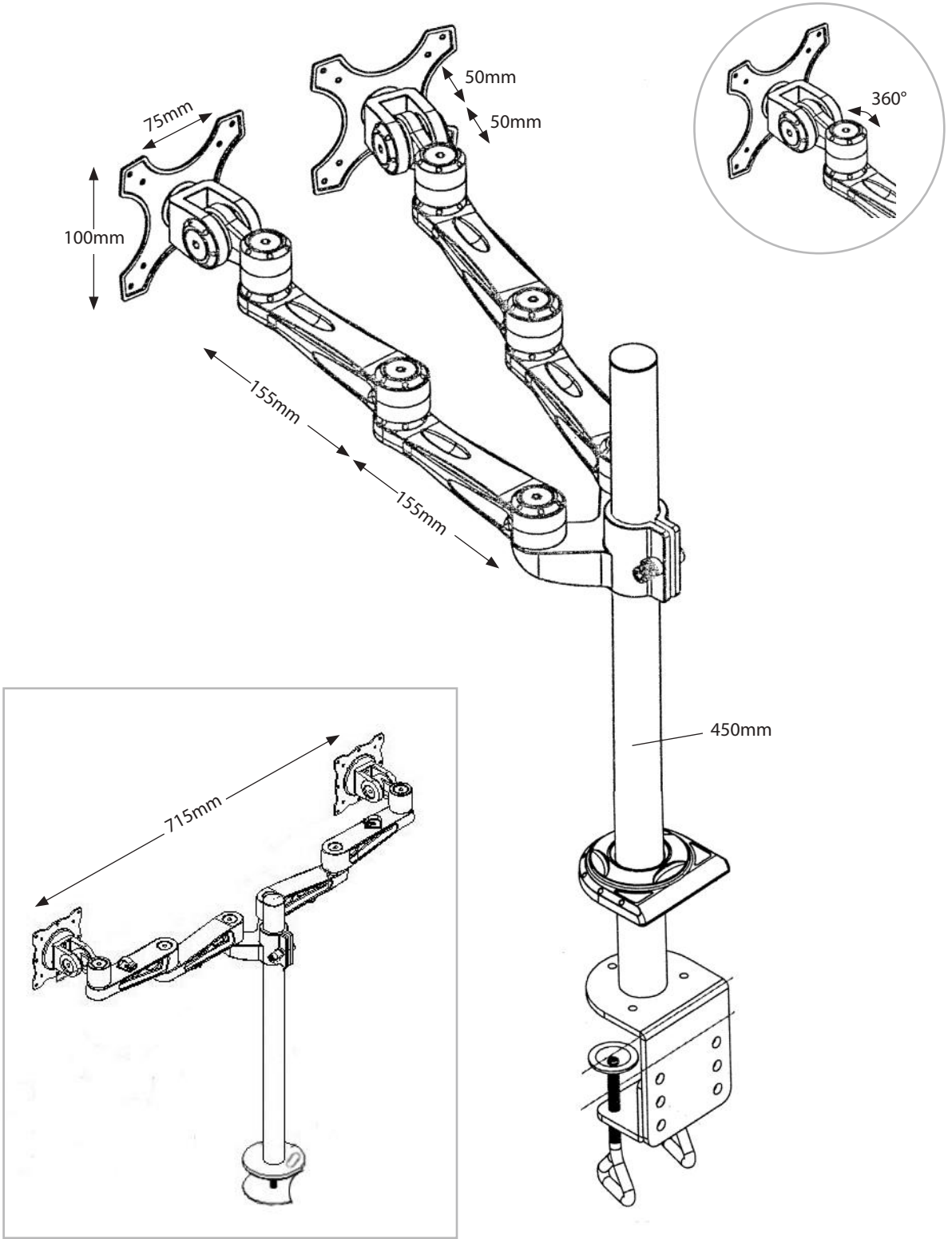
**Part Number**  
EMUV420TD-POLE

**Description**

UltraView 420 Series Bolt Through  
400mm Pole  
Maximum desk thickness 95mm  
Silver Finish









**ErgoMounts** Limited  
Unit 10  
Pegasus Court  
North Lane  
Aldershot  
Hampshire  
GU12 4QP  
United Kingdom

T +44 (0)1252 333326  
F +44 (0)1252 330006

[www.ergomounts.co.uk](http://www.ergomounts.co.uk)



See it your way...